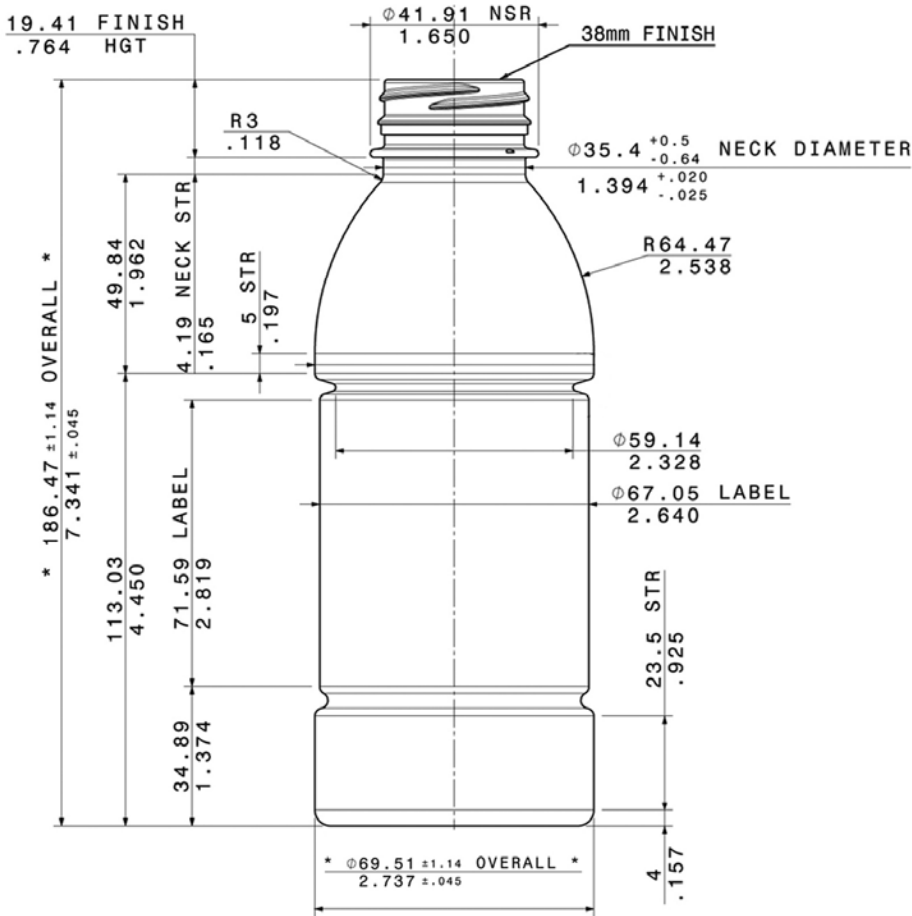


Amcor Rigid Plastics North America

500ml PowerFlex Dome - P4162



Container Metrics

Finish:	38mm	Label Diameter:	2.640in
Weight:	40g	Label Height:	2.819in
Height:	7.341in	Label Position:	1.374in
Diameter:	2.737in		

Blow Location: Allentown, PA

Contact our sales coordinator today

Amcor Rigid Plastics North America | 10521 S. Hwy M-52, Manchester, MI 48158 | 734-428-4012 | www.amcor.com

